

**PLEASE CHECK WWW.MOLEX.COM FOR LATEST PART INFORMATION**

**Part Number:** [0508567225](#)  
**Status:** **Active**  
**Description:** Ring Tongue Terminal for 10 and 12 AWG, Closed Uninsulated Brazed Barrel, Stud Size 1/2" (M12), Oxygen Free Copper, Length 32.00mm (1.260")

**Documents:**

[Drawing \(PDF\)](#) [RoHS Certificate of Compliance \(PDF\)](#)  
[Product Specification PS-50856-001 \(PDF\)](#)

**General**

Product Family	Ring and Spade Terminals
Series	<a href="#">50856</a>
Crimp Quality Equipment	Yes
Mil-Spec	N/A
Product Name	R (Ring)
Type	Ring

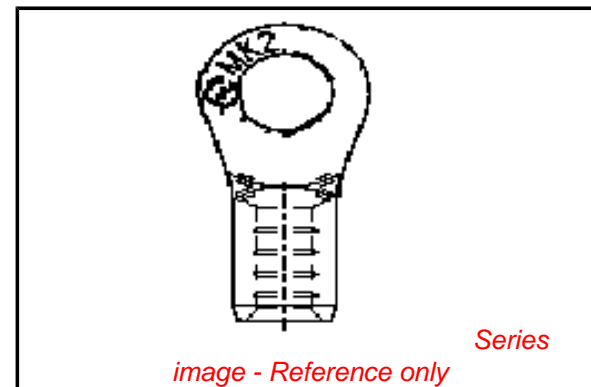
**Physical**

Barrel Type	Closed - Brazed
Insulation	None
Material - Plating Mating	Tin
Packaging Type	Bag
Plating min: Mating (µin)	40
Plating min: Mating (µm)	1
Plating min: Termination (µin)	40
Plating min: Termination (µm)	1
Stud Size	1/2" (M12)
Termination Interface: Style	Crimp or Compression
Wire Size AWG	10, 12
Wire Size mm <sup>2</sup>	2.63 - 6.64

**Material Info**

**Reference - Drawing Numbers**

Product Specification	PS-50856-001
Sales Drawing	SD-50856-002



**EU RoHS**

**ELV and RoHS Compliant**  
**REACH SVHC**  
 Not Reviewed  
**Halogen-Free Status**  
 Not Reviewed

**China RoHS**



**Need more information on product environmental compliance?**

Email [productcompliance@molex.com](mailto:productcompliance@molex.com)  
 For a multiple part number RoHS Certificate of Compliance, [click here](#)

Please visit the [Contact Us](#) section for any non-product compliance questions.

**Search Parts in this Series**

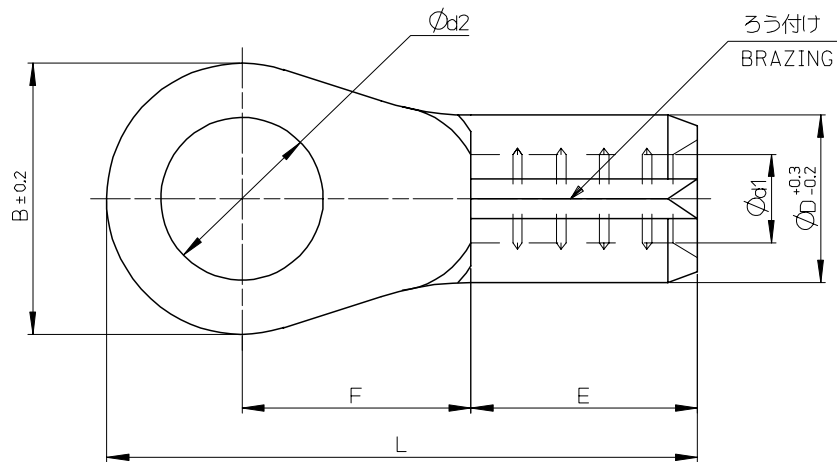
[50856Series](#)

**Application Tooling | [FAQ](#)**

*Tooling specifications and manuals are found by selecting the products below. Crimp Height Specifications are then contained in the Application Tooling Specification document.*

**Japan**

Description	Product #
Hand Crimper For JIS Terminal	<a href="#">0572575000</a>
Air Type Hand Crimper For JIS Terminal	<a href="#">0573439005</a>

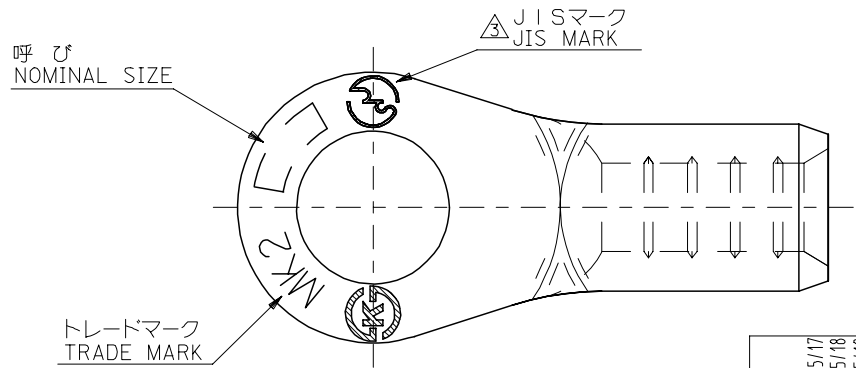


注記 NOTES

- 1 材質 MATERIAL  
 端子：無酸素銅、錫めっき  
 TERMINAL: OXYGEN-FREE COPPER, TIN PLATING  
 ろう付け部：りん銅ろう  
 PART OF BRAZING : COPPER PHOSPHORUS BRAZING FILLER METALS
- 2 適用電線 APPLICABLE WIRE RANGE

単線 SOLID WIRE	撚線 STRANDED WIRE
1.82-2.89 mm	2.63-6.64 mm <sup>2</sup>

△ JIS認定品にのみ刻印。  
 DIE STAMPED MARK IS ALLOWED ONLY  
 FOR JIS FILED PRODUCTS.



1	0.1 -0.05	13	0.5 -0.1	32	±0.5	15.7	±0.5	6.5	±0.4	3.5	±0.3	5.6	20	5.5	12	50856-7225
JIS	0.9 MN	10.5	0.4	28.5 MAX	13.5 MN	6.0 MN	3.4	±0.2	7.2	10	50856-7126					
	1	0.1 -0.05	4.3	0.5 -0.1	15.8	±0.5	5.9	±0.5	6.5	±0.4	3.5	±0.3	7.2	S4	50856-7025	
△	t	∅d2	L	F	E	∅d1	∅D	B	呼 NOMINAL SIZE	∅	ENG. NO.					

RELEASED EC NO: J2007-0312 DRW: H.YAJIMA 2007/05/17 CHK: K.KASAHARA 2007/05/18 APPR: NUKITA 2007/05/18	GENERAL TOLERANCES (UNLESS SPECIFIED)	DIMENSION STYLE MM ONLY	SCALE ---	DESIGN UNITS METRIC	THIRD ANGLE PROJECTION
	10 UNDER ± ---	DRAWN BY H. YAJIMA	DATE '06/08/23	TITLE RING TERMINAL	
	10 OVER 30 UNDER ± ---	CHECKED BY K. KASAHARA	DATE '06/08/23	MATERIAL NO. SEE CHART	
	30 OVER ± ---	APPROVED BY N. UKITA	DATE '06/08/23	DOCUMENT NO. SD-50856-002	
	ANGULAR ± --- °	DRAFT WHERE APPLICABLE MUST REMAIN WITHIN DIMENSIONS		SHEET NO. 1 OF 1	